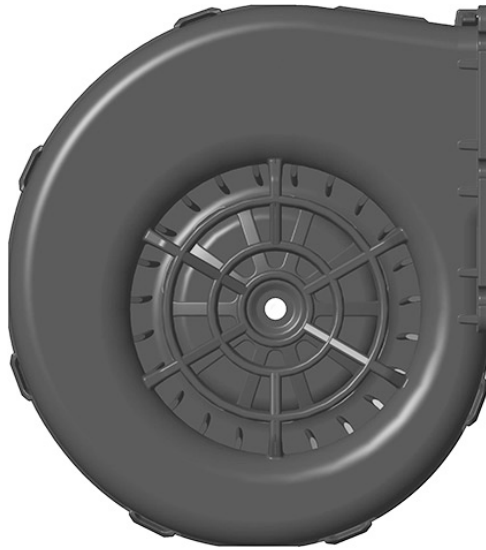
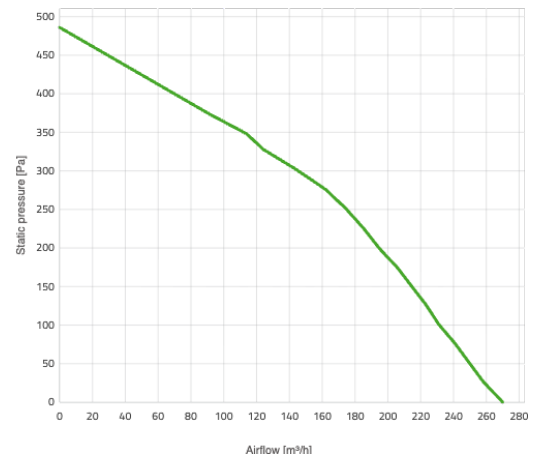


CENTRIFUGAL BLOWER (BRUSHED)

008-A100-93D



Performance diagram



Performance chart

Static pressure	Static pressure	Airflow	Current draw	Airflow	Static pressure
Pa	mm H ₂ O	m ³ /h	A	CFM	in H ₂ O
0.0	0.0	270.0	5.2	159.0	0.0
27.0	3.0	258.0	5.0	152.0	0.1
50.0	5.0	250.0	4.9	147.0	0.2
76.0	8.0	241.0	4.8	142.0	0.3
101.0	10.0	231.0	4.7	136.0	0.4
127.0	13.0	223.0	4.5	131.0	0.5
149.0	15.0	215.0	4.4	126.0	0.6
174.0	18.0	206.0	4.3	121.0	0.7
199.0	20.0	195.0	4.3	115.0	0.8
226.0	23.0	185.0	4.2	109.0	0.9
252.0	26.0	174.0	4.1	102.0	1.0
276.0	28.0	162.0	3.9	95.0	1.1
302.0	31.0	144.0	3.8	85.0	1.2
328.0	33.0	124.0	3.6	73.0	1.3

Static pressure	Static pressure	Airflow	Current draw	Airflow	Static pressure
348.0	36.0	114.0	3.6	67.0	1.4
374.0	38.0	91.0	3.3	54.0	1.5
486.0	50.0	0.0	2.7	0.0	2.0

